

# **SWER Protection System**

**Dr Hendri Geldenhuys Pr.Eng.  
IARC Resources and Strategy  
Eskom South Africa**

# Protective Devices

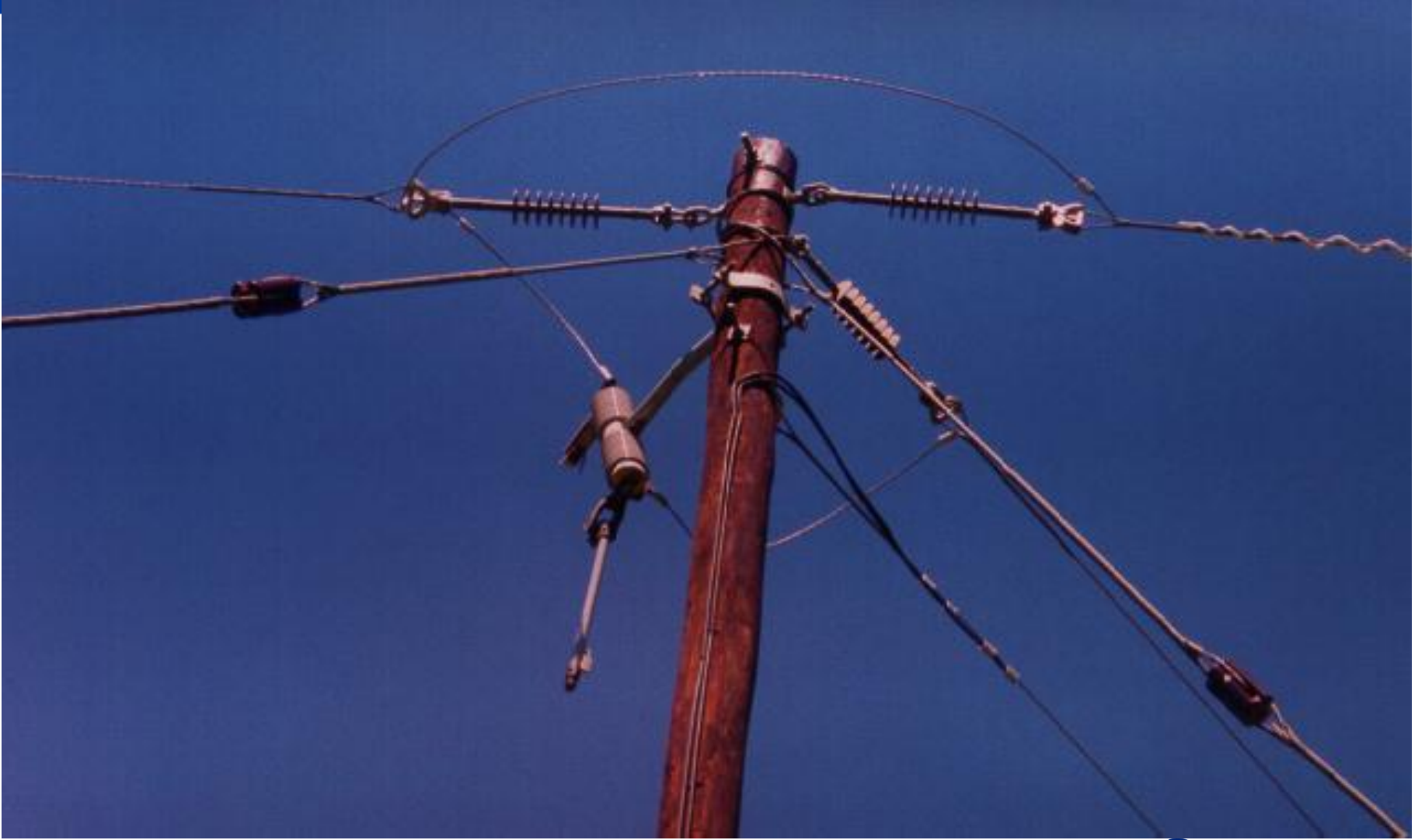
- **Single Phase Reclosers**
- **Fuses**
- **Single Phase Sectionalisers**

**Power Transfer is Limited to 475 kVA  
( 25A )**

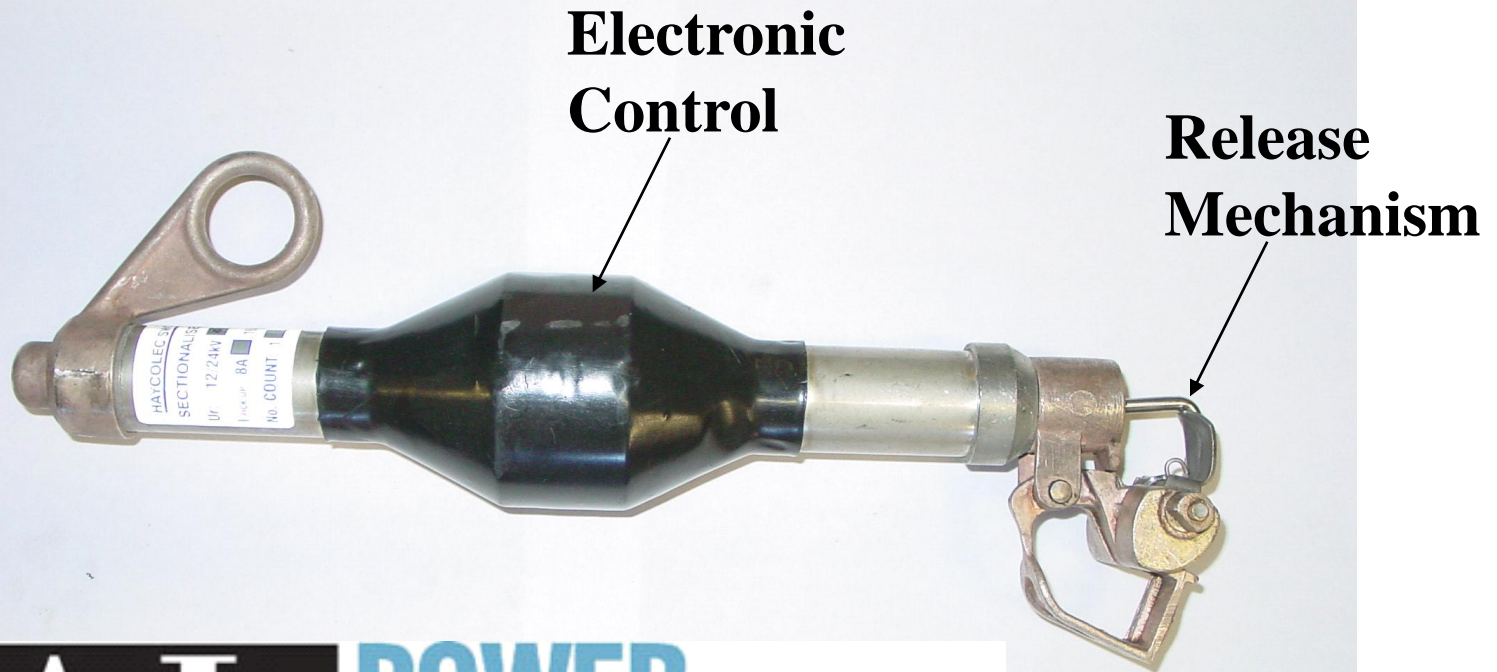
# Single Phase Recloser and Bypass Fuse



# T-off Fuse



# Single Phase Sectionalizer



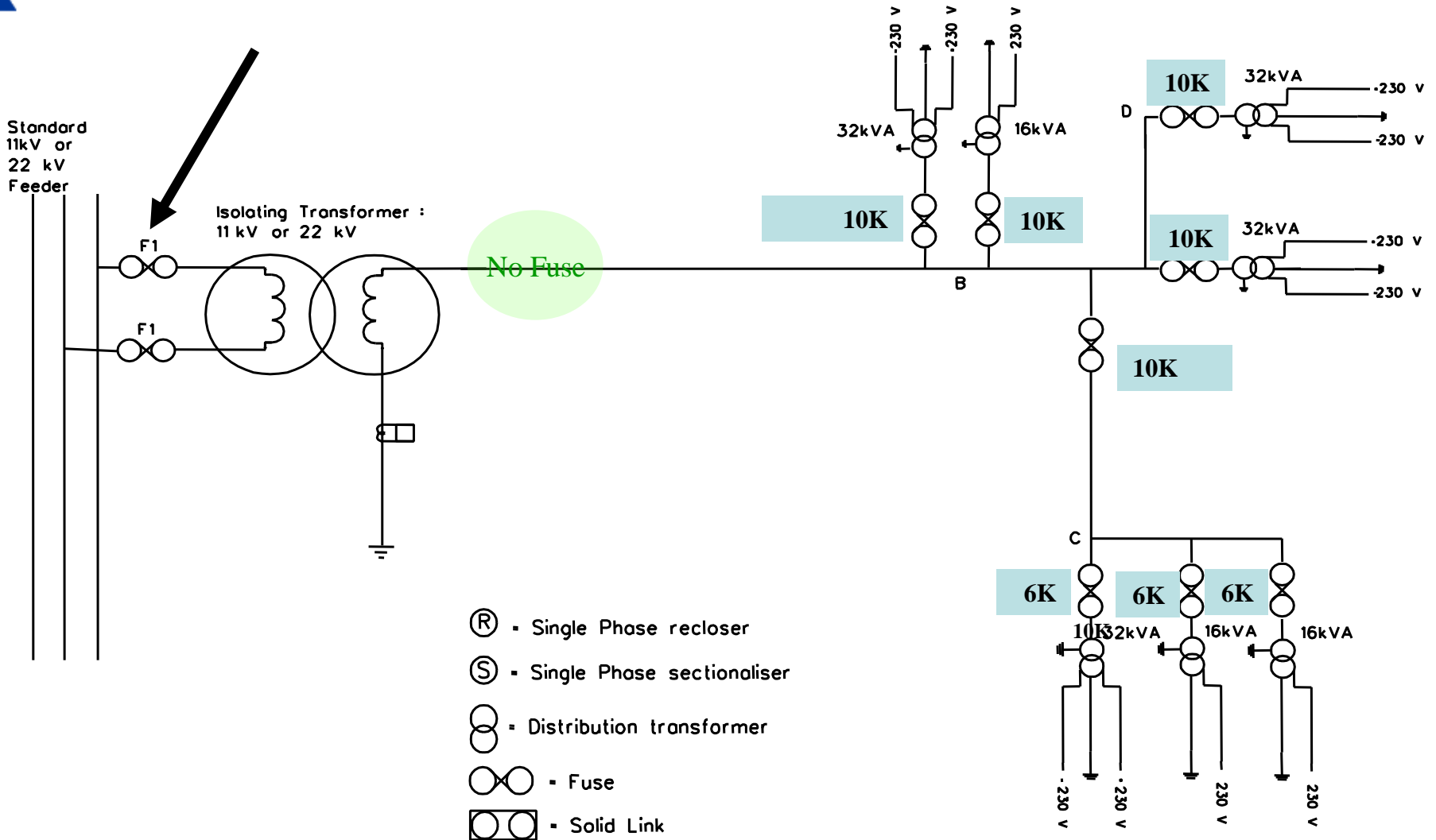
# Installed on a Fuse Holder



# Sectionalizer Characteristics

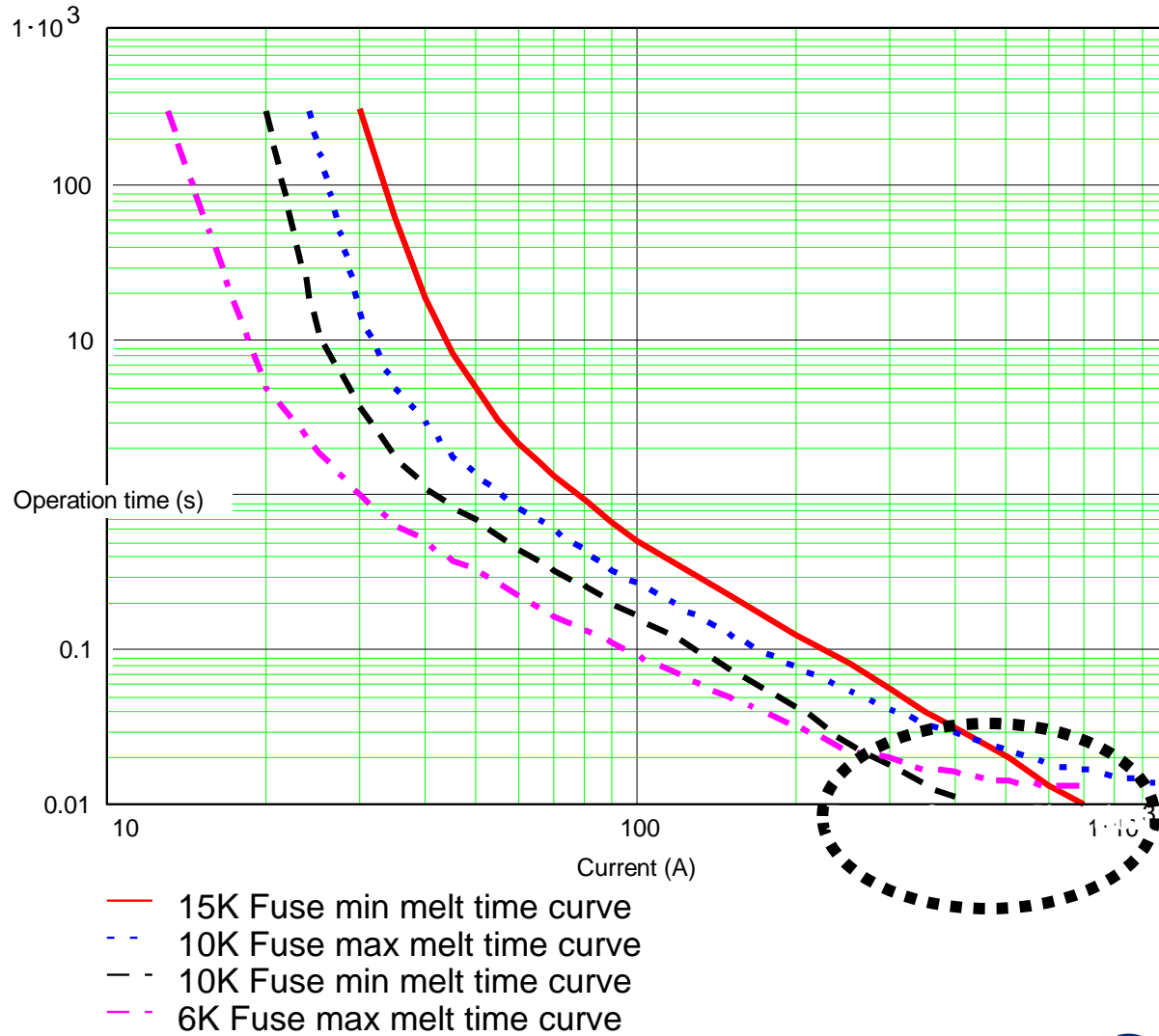
- **Used in conjunction with an upstream auto recloser**
- **Pick up currents ranging from 5 to 250 amps**
- **Pick up current is able to be set in the field as required**
- **Operating counts field settable to 1, 2 or 3 trips**
- **Reusable Self Actuating Device**

# Fuse Protection Only





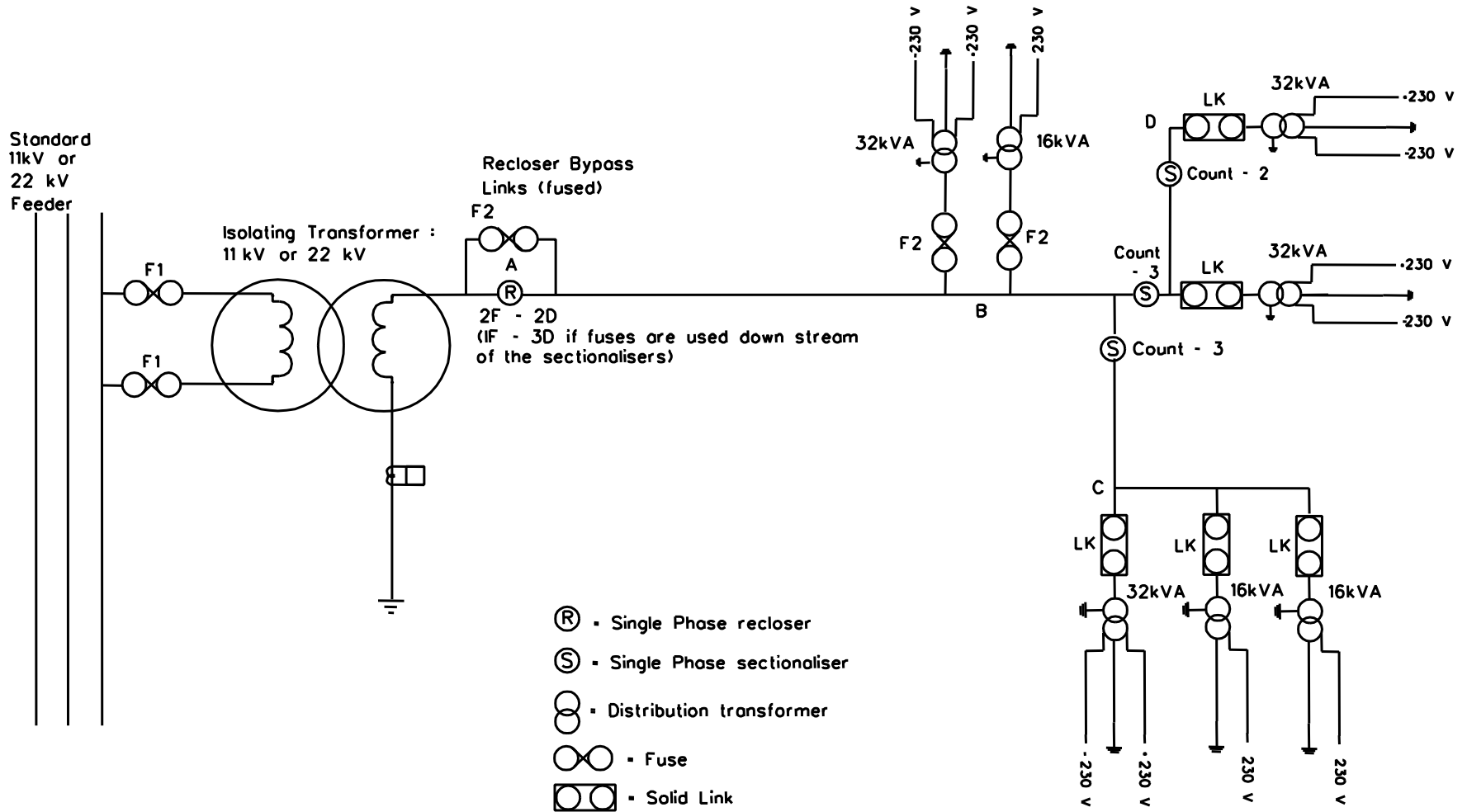
# Fuse Co-ordination



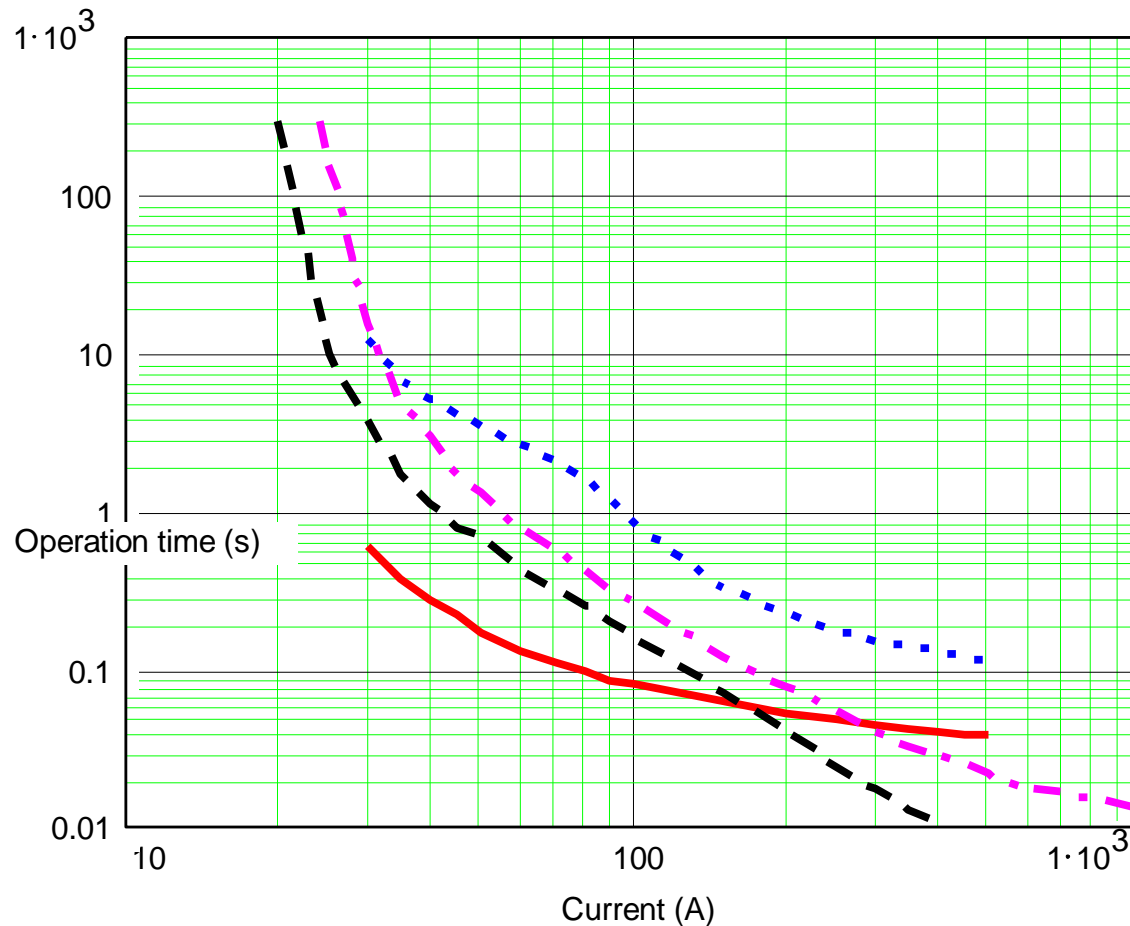
# Primary Fuse Rating

Isolation TRFR (kVA)	Fuse rating (F1 and F2) (K-Type fuse element)	
	11 kV	22 kV
50	30K	15K
100	30K	15K
200	30K	15K
400	30K	15K

# Recolser and Sectionalaliser Protection

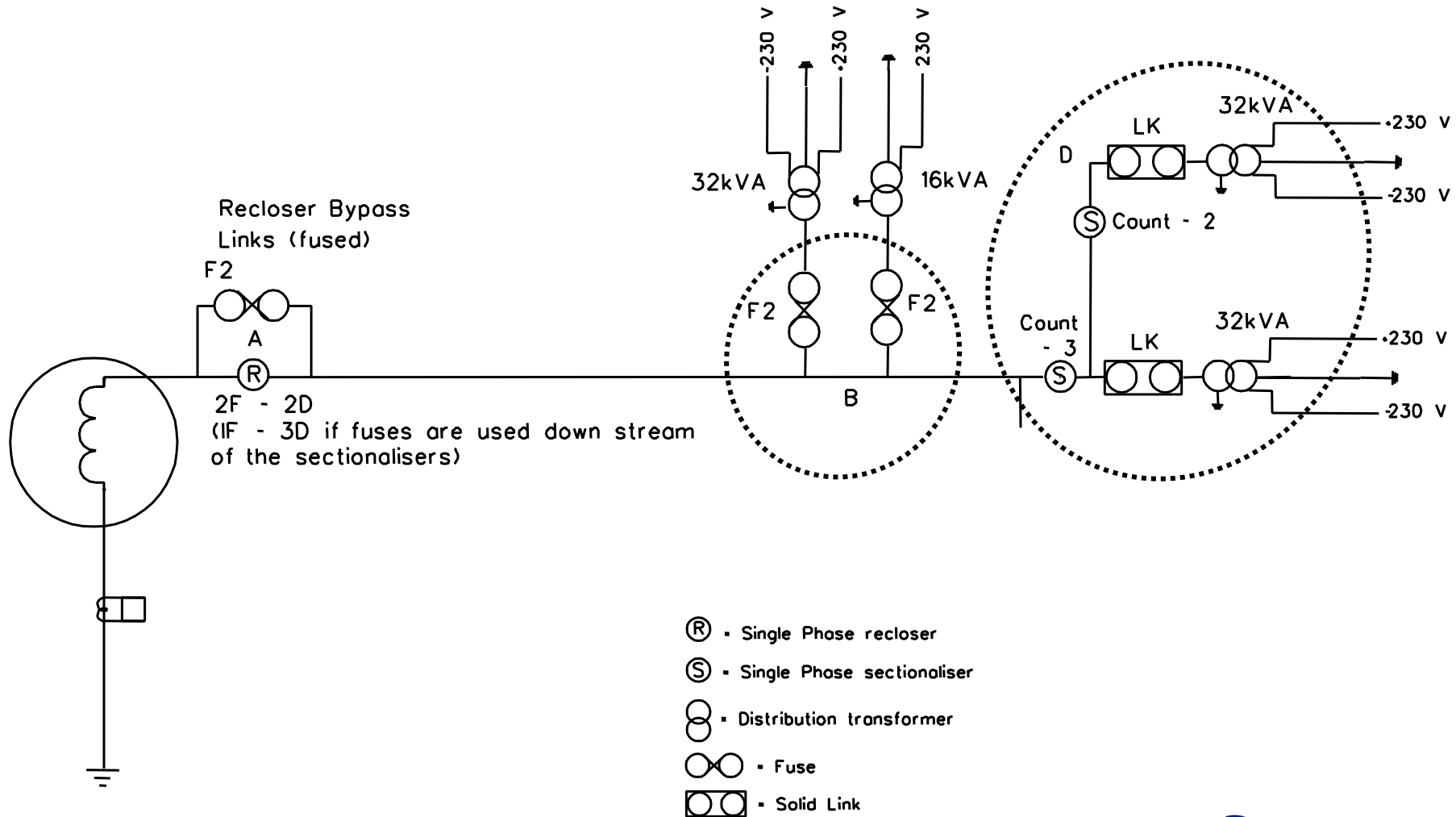


# Recloser – Fuse Coordination

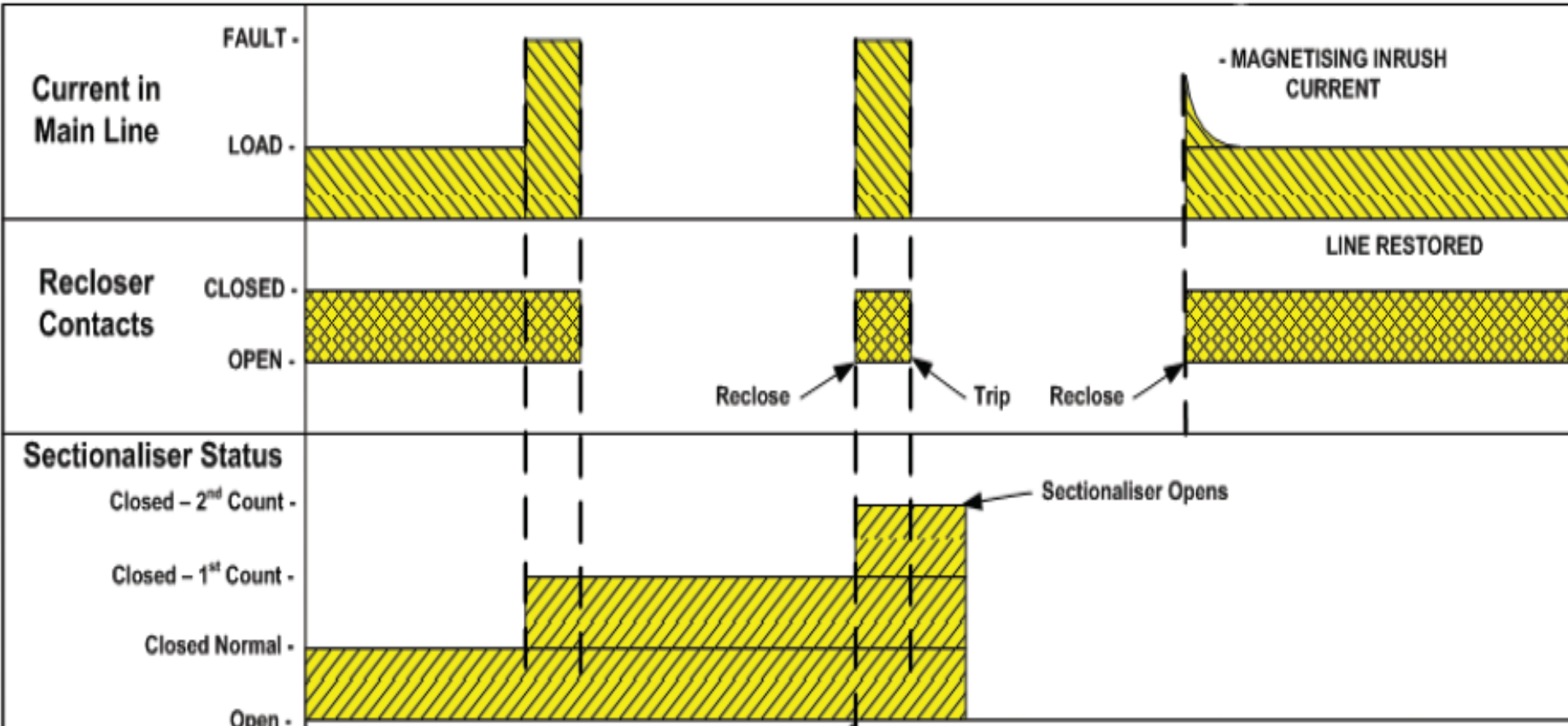


- V4E Recloser (15A trip coil) curve A
- V4E Recloser (15A trip coil) curve D
- - 10K Fuse min melt time curve
- · 10K Fuse max melt time curve

# Recloser and Sectionalaliser Protection



# Sectionaliser Operation



END